

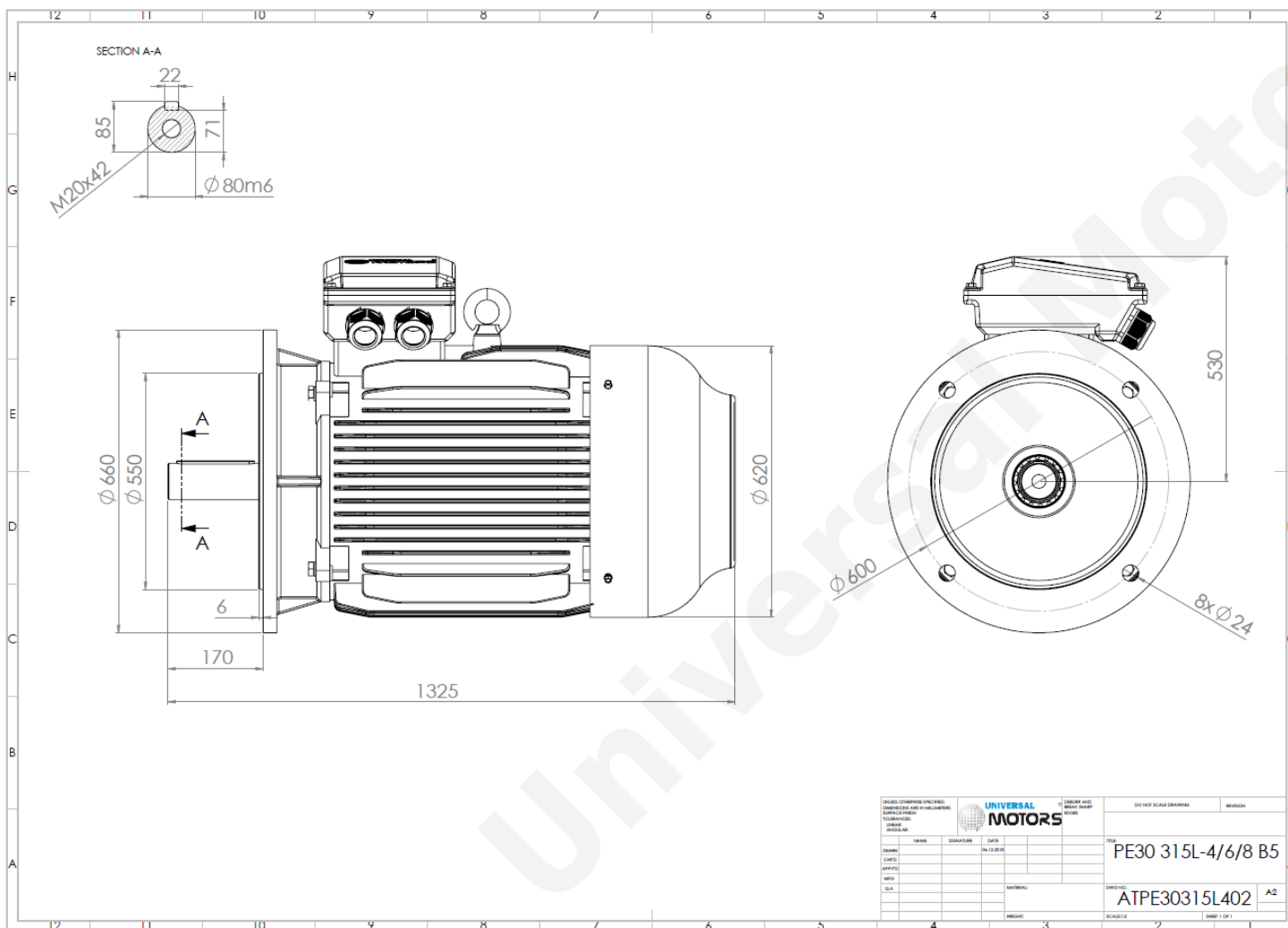
# TECHNICAL DATA

Three Phase Electric Motors - Cast Iron Frame

PE30 315L1-8

90 kW / 125 Cv

735 RPM



Motor type:	PE30 315L1-8
Output:	90 kW / 125 Cv
Speed ( $\text{min}^{-1}$ ):	735 RPM
Frequency:	50 Hz
Voltage:	400 V
Current:	169.6 A
Power factor ( $\text{Cos } \phi$ ):	0.82
Poles:	8
Insulation class:	F
Temperature rise Class:	B
Efficiency 50%:	92.0 %
Efficiency 75%:	93.5 %
Efficiency 100%:	93.4 %
Torque:	1167 N.m
Tstarting/Tnominal:	1.8
Istarting/Inominal:	6.4
Tmaximum/Tnominal:	2.0
Noise:	82 Db(A)
Weight:	1182 Kg
Bearing DE:	NU 319
Bearing NDE:	6319 C3

Regime - S1

Altitude - 1000m

Environment Temperature - 40°C

## CONTACTS:

UNIVERSAL MOTORS Tel: +351 252 299 080  
 Rua de São Brás,745 Fax: +351 252 299 089  
 4480-782 VILA DO CONDE Mail: [geral@universalmotors.pt](mailto:geral@universalmotors.pt)

\* References applied only in the UK